

Self/7000 Self/8000

Integration Guide

Table of content

List of abbreviations	4
1 Introduction	5
1.1 Self/7000 and Self/8000 Payment Solution Presentation	5
1.1.1 Self/7000	5
1.1.2 Self/8000	5
1.2 Key hardware features	6
1.3 Network considerations	6
2 Description of modules	7
2.1 Self/7000	7
2.1.1 Connectivity and communications diagrams	7
2.1.2 Mechanical standard	8
2.1.3 Technical characteristics	9
2.1.4 Output connectors description	9
2.1.5 Wake-up function	11
2.2 Self/8000	12
2.2.1 Connectivity and communications diagrams	12
2.2.2 Mechanical standard	12
2.2.2.1 EVA standard	12
2.2.2.2 ARTEMA standard	14
2.2.3 Technical characteristics	15
2.2.4 Wake-up function	16
2.2.5 Main accessories	17
2.2.6 Maintenance	17
2.2.7 Cleaning instructions	17
2.2.8 Standards	17
3 Product installation	18
3.1 Professional installation requirements	18
3.2 Packaging	18
3.3 Select a location	18
3.4 Procedure for product installation	19
3.4.1 Self/7000 product installation	19
3.4.2 Add-on Boxes	20
3.4.3 Self/8000 product installation	21
3.4.4 Installing the modular terminal	22
4 Safety	23
4.1 Operating safety	23
4.2 Safety Recommendations	23
4.2.1 Integrators	23
4.2.2 Merchants	24
4.3 EC marking	24
4.4 Repairs and end of life	24

The information provided in this documentation has been compiled with the greatest level of care. Due to further developments in the field of electronic payment transactions, as well as the technology, changes may occur that lead to deviations from these instructions. Worldline shall therefore accept no liability for the up-to-dateness, completeness or accuracy of the information provided in these operating instructions. Any claims for liability asserted against Worldline

which relate to instances of material or immaterial damage, which are attributable to the use or non-use of the information provided and/or the use of incorrect or incomplete information, are excluded in principle insofar as no deliberate or grossly negligent misconduct may be proven with respect to Worldline. Please contact your account manager for the most up-to-date version of this document.

List of abbreviations

CVM	Cardholder Verification Method
EMC	Electro Magnetic Compatibility
EVA	European Vending Association
GND	Ground
LCD	Liquid Crystal Display
LLT	Local Loading Tool
RAM	Random Access Memory
USB	Universal Serial Bus
CL	Contactless

1 Introduction

1.1 SELF/7000 AND SELF/8000 PAYMENT SOLUTION PRESENTATION

The Self/7000 and Self/8000 are Worldline's new modular unattended payment terminals. They are designed to fit into any kiosk of any area of application (petrol, transport, vending, parking, etc.). Usage can be in- or outdoors, resisting to harsh weather conditions. The Self/8000 must always be connected to the master device Self/7000. The two-component terminal is the successor of the iSelf series and XENTEO Eco to renew your experience of unattended payments.

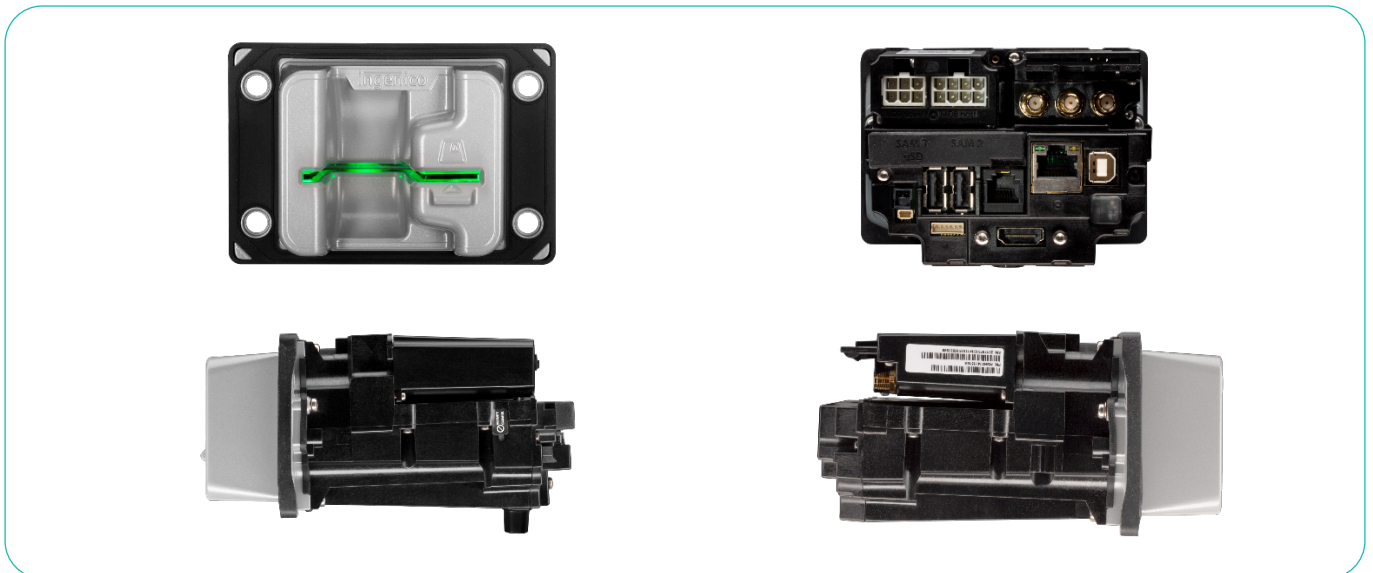
The terminals have been designed to provide a complete solution for EMV payments and run ep2 applications from Worldline. The terminals are PCI PTS 6.x certified, SRED included.

1.1.1 SELF/7000

The Self/7000 is a hybrid card reader offering contact, chip and magnetic card processing. It must be connected to a Self/8000 device to enable contactless card processing and

PIN code entry. The Self/7000 terminal is designed to fit into any kiosk via rear installation and it complies with EVA EPS (Compact Door Module).

Product views:



1.1.2 SELF/8000

The Self/8000 is a compact PINPAD device supporting NFC/contactless card processing and PIN entry via a conventional keyboard. The Self/8000 can never be used as a standalone device. This compact terminal is designed to fit into any kiosk

thanks to an easy installation either on the surface or rear mounted and complies with EVA EPS (Standard Door Module). The Self/8000 is also written Self/8000 CL to highlight the contactless capability.

Product views:

EVA:



ARTEMA:



1.2 KEY HARDWARE FEATURES

Self/7000

MDB and 4G can be offered using add-on boxes. Onboard Ethernet, serial interface, USB host and USB device.

Self/8000

Small footprint complies with EVA/CVS 1.3 standard for the dimensions of the Standard Door Module (SDM) or, for the ARTEMA version, with the standards of other suppliers.

1.3 NETWORK CONSIDERATIONS

Worldline supports two options for connecting a Self terminal:

- Add-on box for mobile broadband (4G)
- Onboard ethernet interface supporting fixed broadband

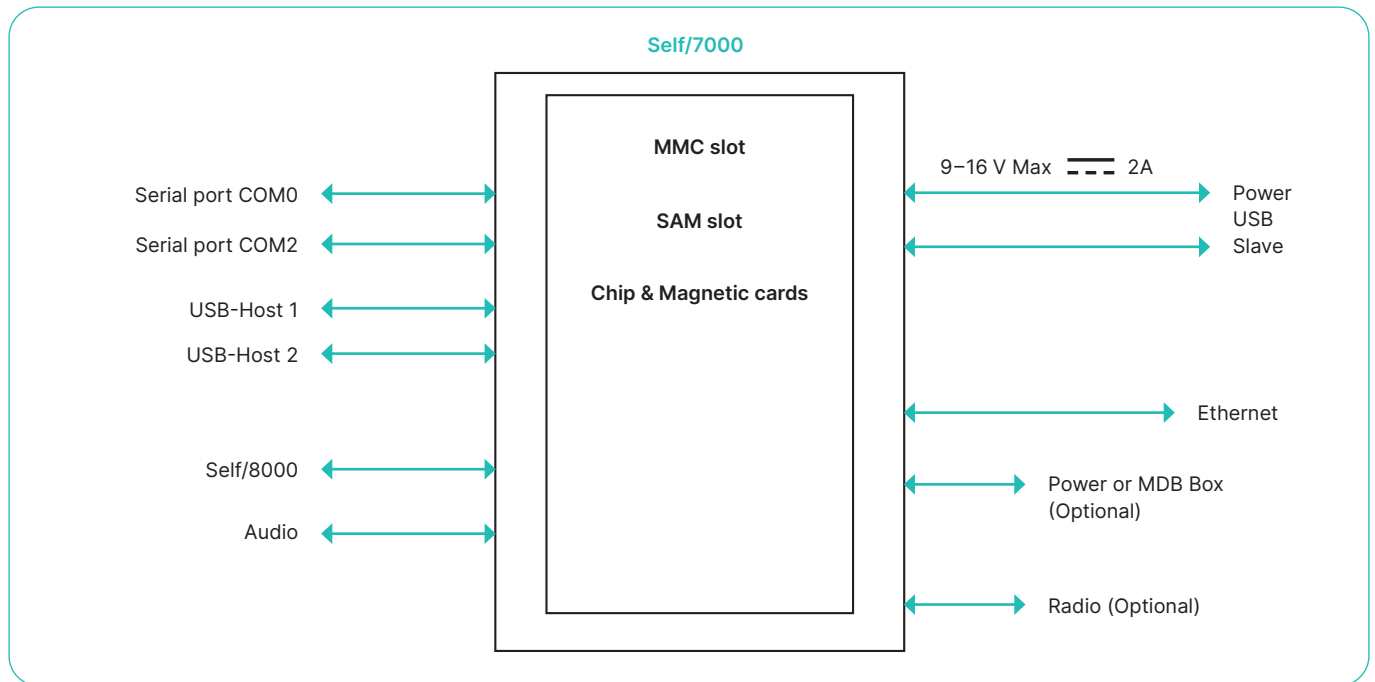
Please note that Worldline has no control over and can't be held responsible for the quality of broadband solutions.

Worldline will not support (or parameterise) hybrid solutions, such as the use of mobile broadband routers/modems behind the ethernet interface as there is too much dependency on the quality provided by the mobile operator, which is often affected by indoor signal reception issues or Faraday cage of the device.

2 Description of modules

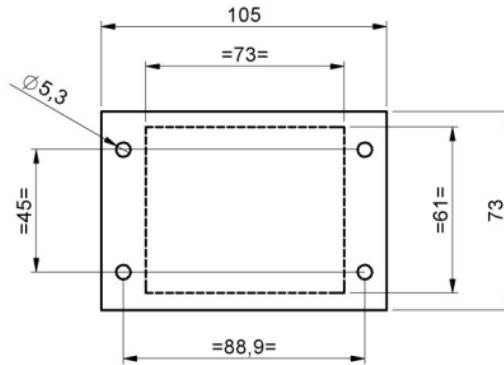
2.1 SELF/7000

2.1.1 CONNECTIVITY AND COMMUNICATIONS DIAGRAMS

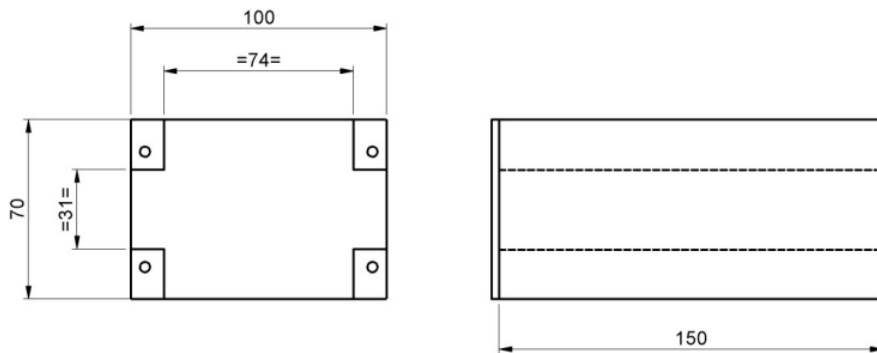


2.1.2 MECHANICAL STANDARD

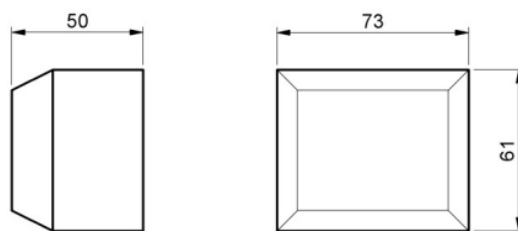
DIMENSION OF THE MOUNTING PLATE



INTERNAL TERMINAL MAXIMUM VOLUME




FRONT BEZEL VOLUME



The dimensions are given in mm.

2.1.3 TECHNICAL CHARACTERISTICS

Mass	Self/7000: 825 g
Dimensions	73.3 × 107 × 151.1 mm (height × width × depth)
Power supply	9 V – 16 V  2 A
Platform	Tetra
Memory	512 Mb SDRAM and 512 Mb Flash
Link	2× USB host (USB-A) 1× USB device(USB-B) 2× RS232 (RJ11 and JST) 1× Ethernet (RJ45) 2× Add-on BOX connection 1× Self/8000 (HDMI)
Functionality Self/7000	Buzzer Audio connector ouput 1× Maintenance Button 1× μSD 2× SAM Wake-up mechanism on RS232 connectors Wake-up mechanism on card entry

2.1.4 OUTPUT CONNECTORS DESCRIPTION

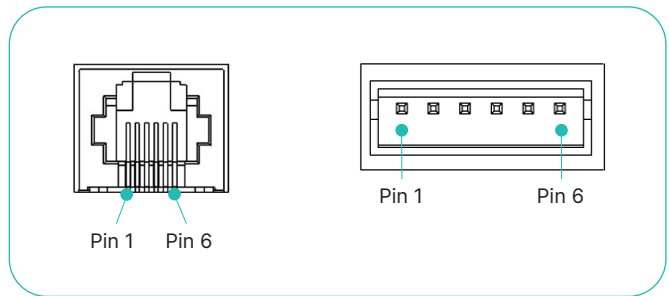
USB device

- The device uses type B USB cable.
- Cable length should not exceed 5 m.

COM0 and COM2 link

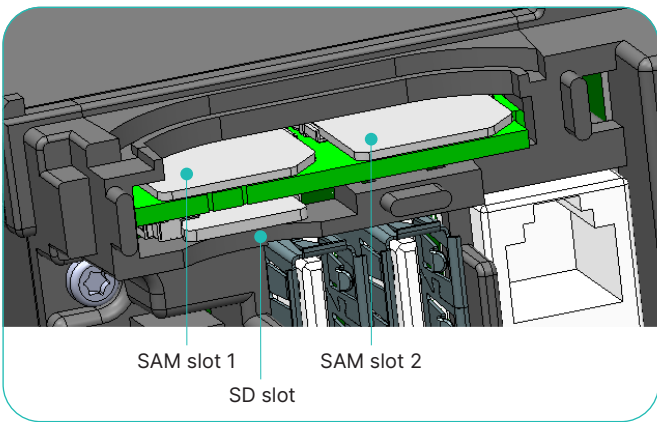
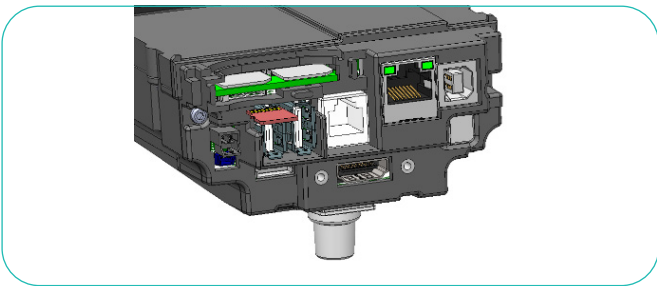
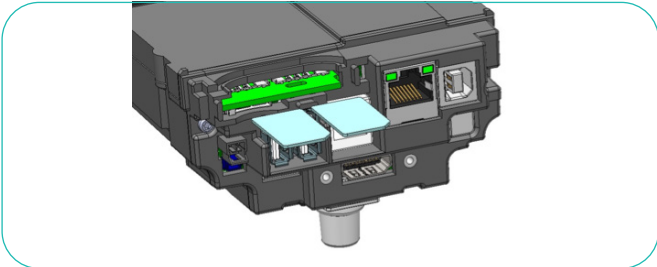
- The device can be connected to the serial port
- The connector type is RJ11 for COM0 and JST for COM2.

PIN No	Function
1	GND
2	Wake-up
3	RXD
4	TXD
5	CTS
6	RTS



SAM & μSD Installation

1. Disconnect the device from cable power supply.
2. Remove the black silicon part (SAM1, SAM2, uSD).
3. Insert the SAM cards in SAM slot 1 and/or slot 2.
Take care about the corner angle location.
4. Insert the SD card in μSD as shown in the picture below.
5. Replace the black silicon part.



Buzzer

The buzzer is controlled by the payment application. The frequency is driven by the software.

Card entry

Card entry information (guidance) can be displayed on the screen of the Self/8000.

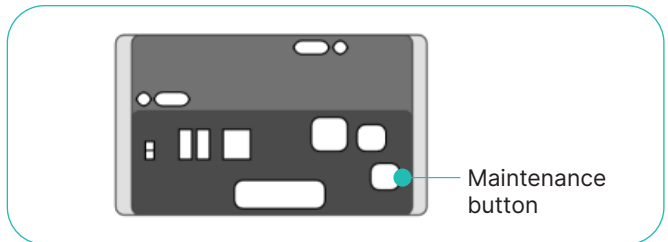
Keyboard

A keyboard must be connected to the Self/7000 device which is the Self/8000.

10 × digit key, 4 × function key (correction/valid, cancel, reserved) and 2 contextual keys (*, #, or, up/down).

Maintenance button and LED

The device has a maintenance button at the back.



To restart the device, press the button until the blue LED lights are on.

Audio output

The device shall be connected to a 4 ohm speaker – 2.8 W for optimal results.

Connector on the board: JST SM03B-SRSS-TB. The cable connector has to be a Molex 105307-1202 + crimps 105300-2200.

Hybrid card reader

On the front side of the device is a guided card input via a backlight.



2.1.5 WAKE-UP FUNCTION

Wake-up mechanism

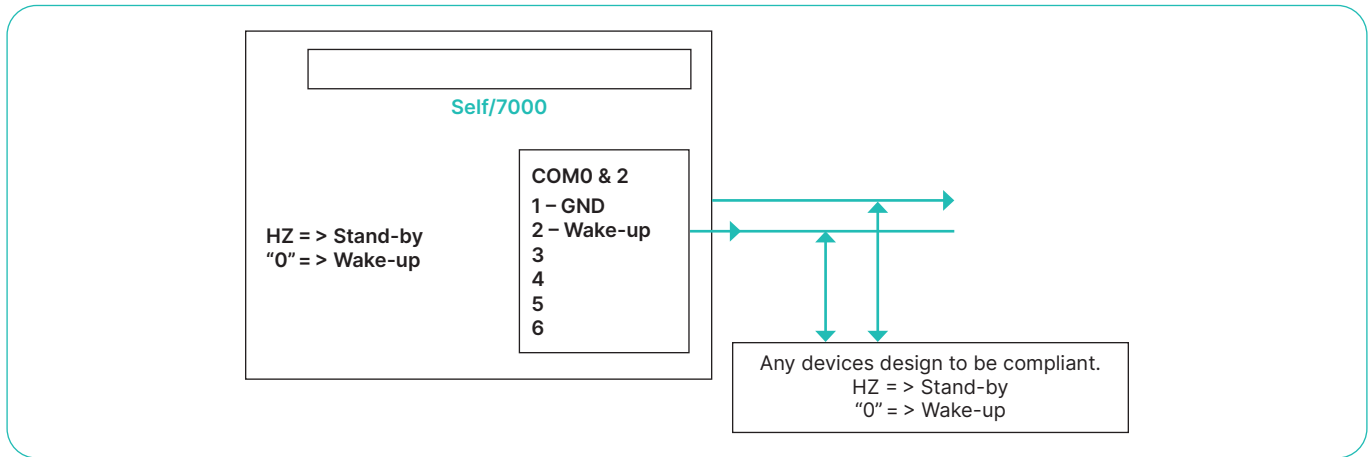
The device is designed to save power with a "stand-by mode".

When using stand-by-mode, use the wake-up mechanism with PIN 2 of COM0 or COM2 connection.

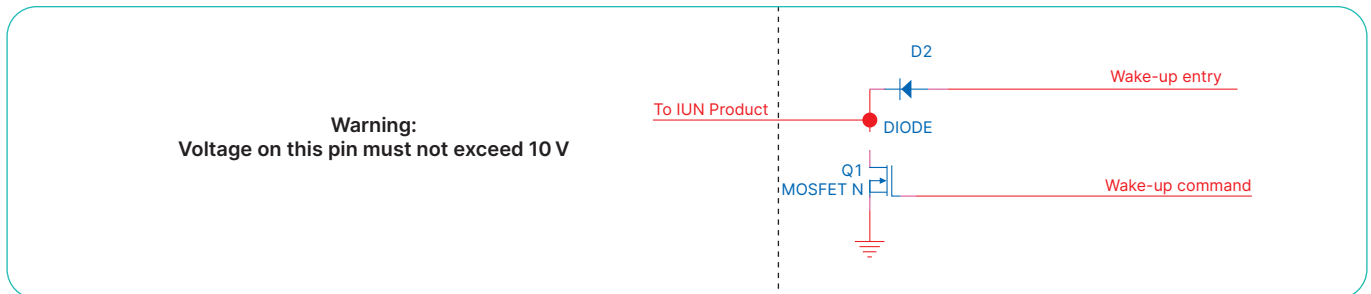
Wake-up pin state

HZ (high Impedance)	Stand-by authorized
Drive to "0"	Wake-up/Stand-by unauthorized

The wake-up PIN is set to "0" by the person who triggers the wake-up (e.g. an external button). To wake up the terminal you have to maintain the "0" level for at least 1 second.



Recommended circuit implementation

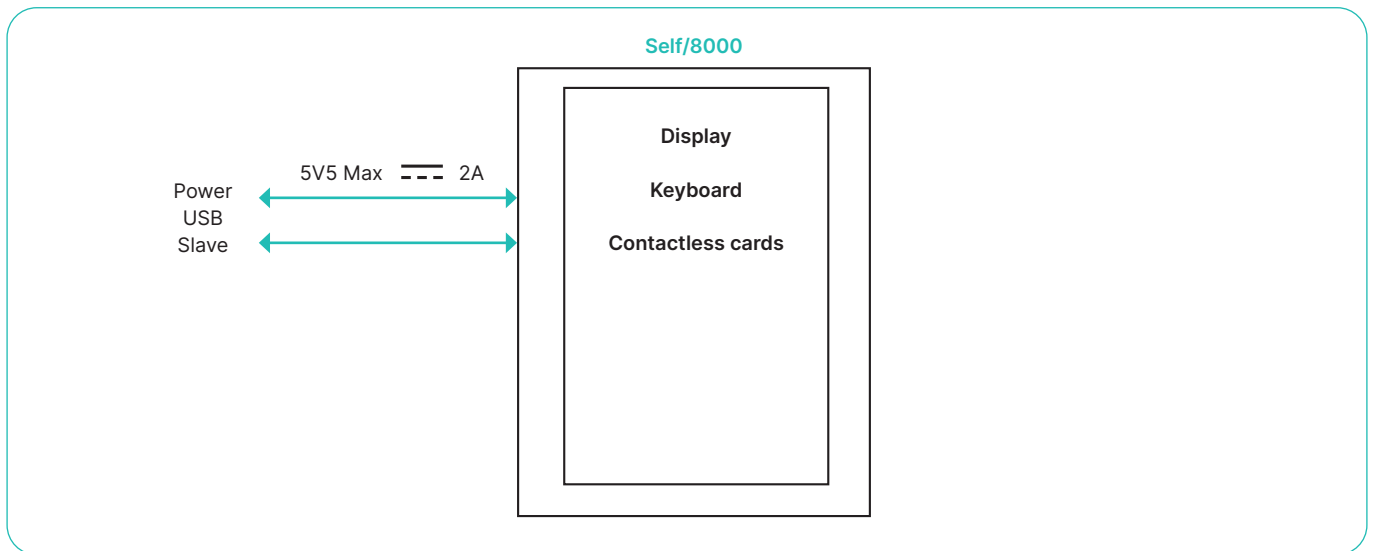


The wake-up PIN must be high impedance. Do not connect directly any voltage on this pin. The devices are 10 volts tolerant on this pin but it is recommended to be High impedance. The voltage on this pin must not exceed 10 volts in any case.

As the pin is high impedance in stand by mode, any current leakage can wake-up the product so please be careful to choose component with ultralow leakage current for wake-up circuit.

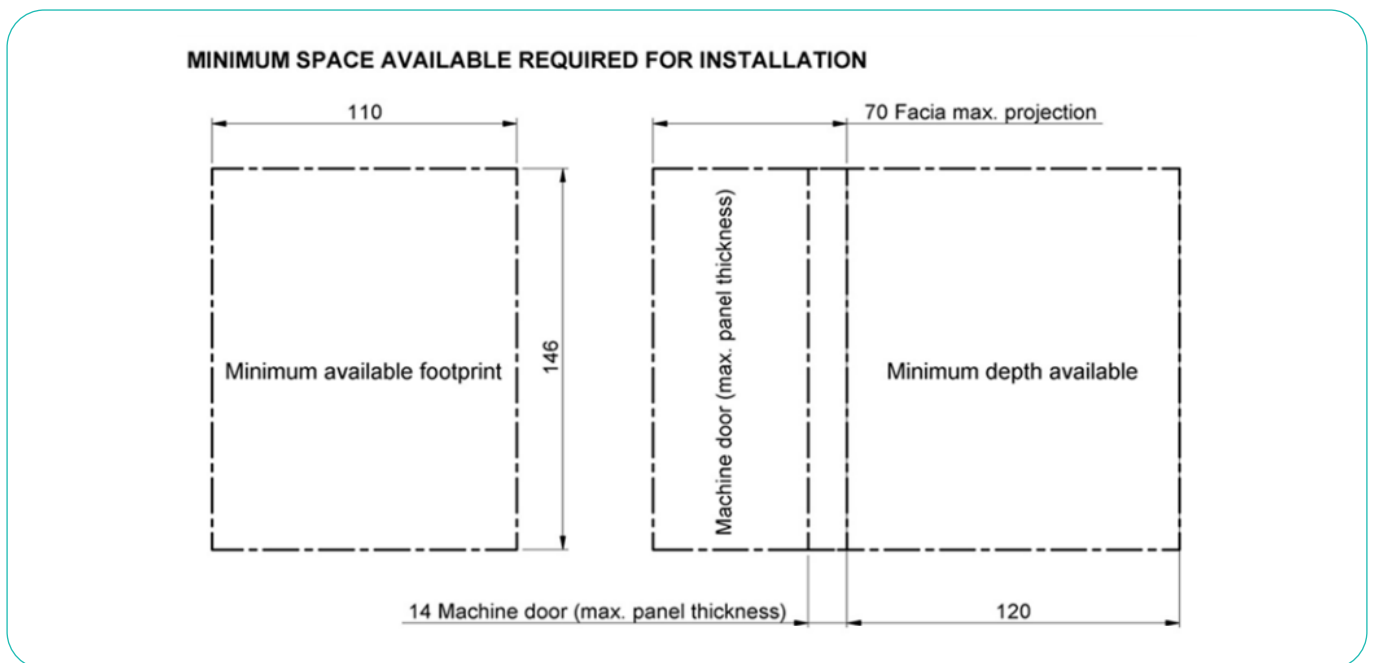
2.2 SELF/8000

2.2.1 CONNECTIVITY AND COMMUNICATIONS DIAGRAMS

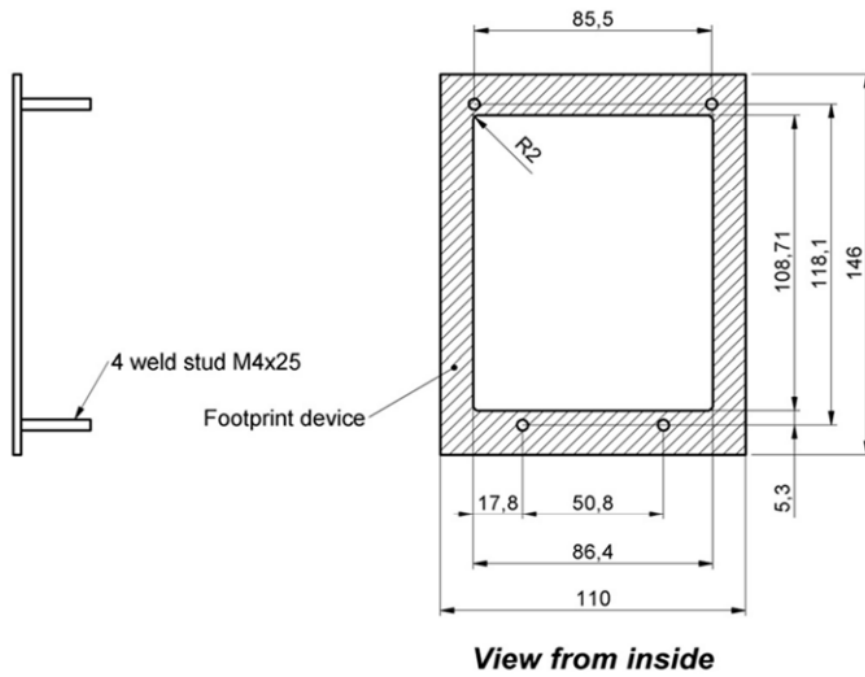


2.2.2 MECHANICAL STANDARD

2.2.2.1 EVA STANDARD

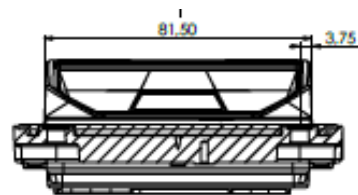
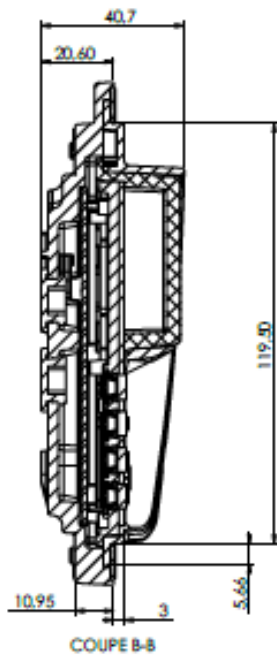
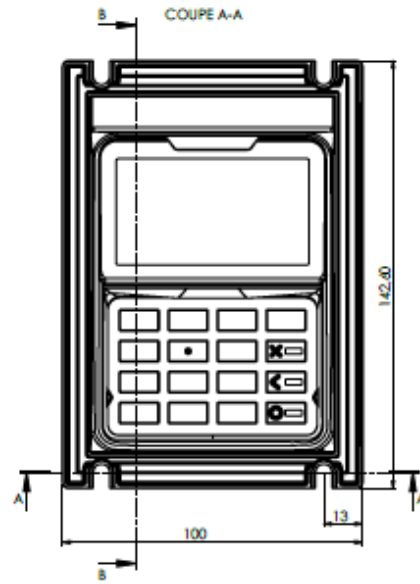
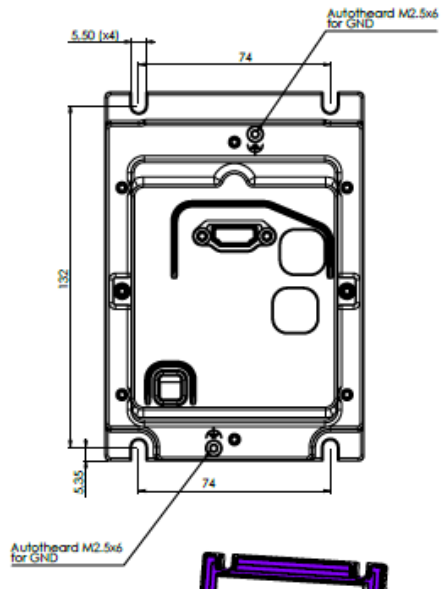


RESERVATION AND FASTENERS INTO THE MACHINE



The dimensions are given in mm.

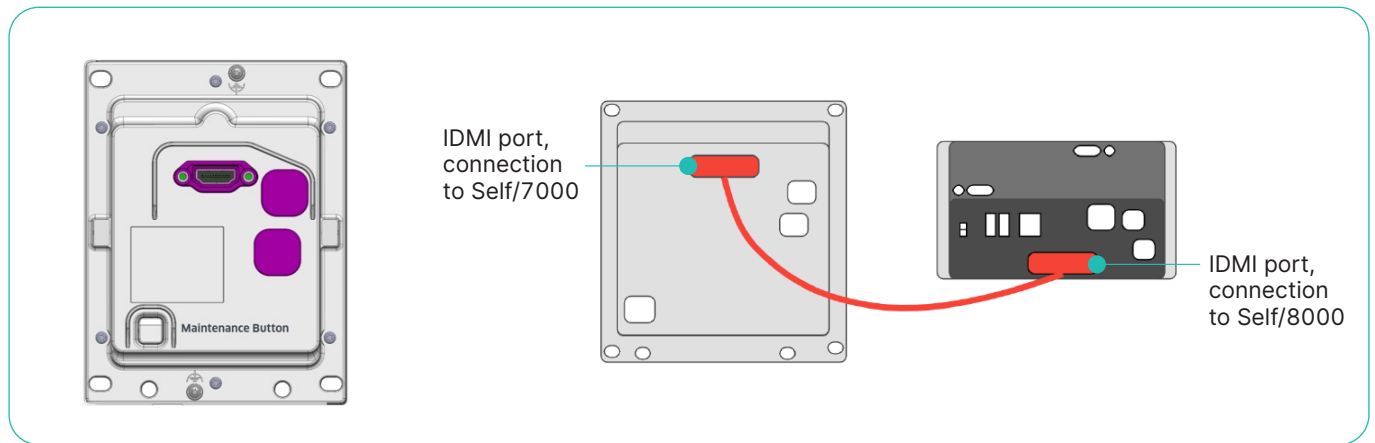
2.2.2.2 ARTEMA STANDARD



The dimensions are given in mm.

2.2.3 TECHNICAL CHARACTERISTICS

Mass	Self/8000: 963 g
Dimensions	131.3 × 100 × 40.7 mm (height × width × depth)
Power supply	2 A 5V5
Platform	Tetra
Memory	Internal memory only
Link	1× Self/7000 (Pin Out) Functionality Self/7000 Contactless card reader 2.5" Graphic display (320 × 160) Buzzer 1× Maintenance button



Buzzer

The buzzer is controlled by the payment application.

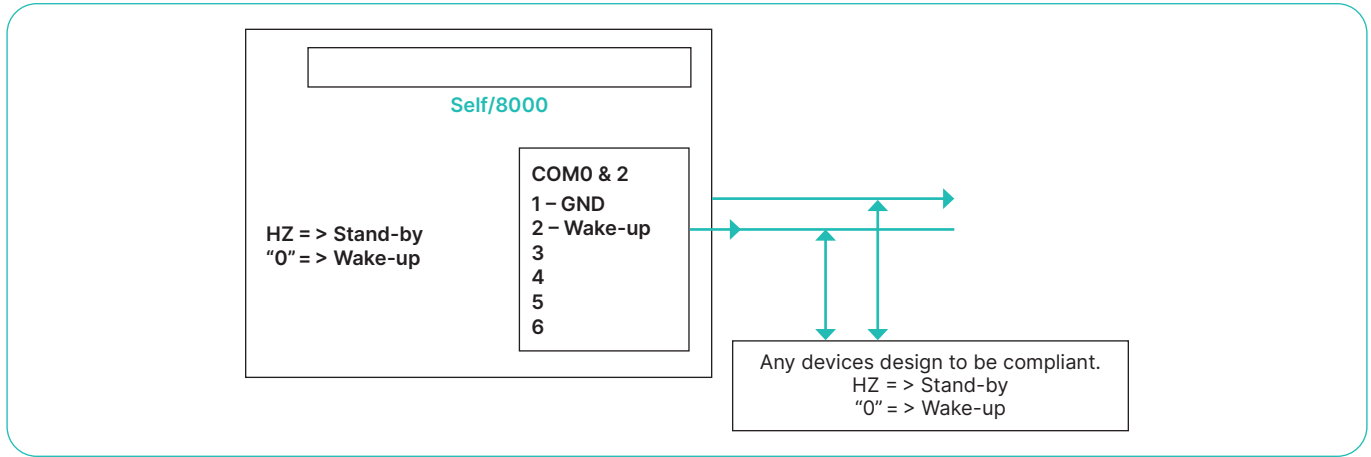
Contactless LEDs & contactless logo

The information given by this signal is shown on the display according to the EMVco rules.

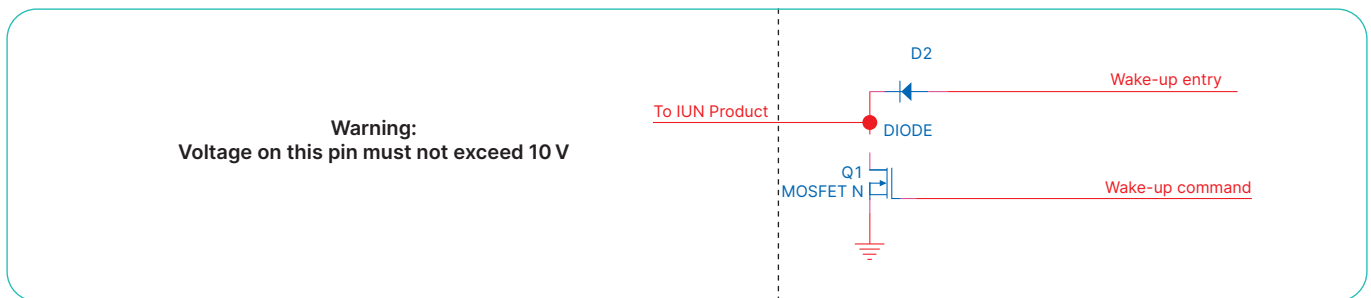
2.2.4 WAKE-UP FUNCTION

Wake-up mechanism

The Self/8000 is designed to save power with a "stand-by mode". When using the stand-by-mode, the following wake-up mechanism can be applied: Pin 2 of COM0 link.



Recommended circuit implementation



The wake-up PIN must be high impedance. Do not connect directly any voltage on this pin. The devices are 10 volts tolerant on this pin but it is recommended to be High impedance. The voltage on this pin must not exceed 10 volts in any case.

As the pin is high impedance in stand by mode, any current leakage can wake-up the product so please be careful to choose component with ultralow leakage current for wake-up circuit.

2.2.5 MAIN ACCESSORIES

For a complete description of the supported accessories, please refer to the order list of this product.

2.2.6 MAINTENANCE

Configuration

The device delivered to you has an operating configuration loaded.

The software and the files for defining the parameters are installed at the factory. The parameter definition file of the UCMC component is used in particular to determine the platform and protocol type. To change the configuration, you

can load the latest software from the SCS. This operation can be performed with the Self/7000 master device. For more information on configuration, please contact your technical support team.

Operating life

The device has a minimum operating life of 5 years.

2.2.7 CLEANING INSTRUCTIONS

The external front of the contactless reader should be carefully cleaned on a regular basis. The aim is to keep the display free of dirt and solvents. During this process, first disconnect all cables from the terminal.

- Use a soft cloth slightly soaked in soapy water to clean the outside of the terminal.
- The glass has a special surface treatment, thus it must be cleaned carefully.

- Do not clean the electronic components.
- Never use solvents, detergents or abrasive cleaners. These materials could damage the plastic or the electronic parts.
- Avoid the use of pressurised liquids.
- Do not expose the terminal to direct sunlight.

2.2.8 STANDARDS

Electrical consumptions

- Max power supply: 5V5 (provided via Self/7000)
- Backup battery life: 6 years of storage

Temperature and humidity

Operating and storage conditions:

- Operating conditions:
 - Relative humidity: 85% non-condensing at 40 °C
 - External temperature range: -20 °C to +65 °C
- Storage conditions :
 - 85% non-condensing at 55 °C
 - External temperature range: -20 °C to +70 °C

Environmental specifications continued

Storage conditions:

- Front face shock resistance: IK10
- Vibrations resistance: NF EN 60068-2-6 and the below conditions (10 tests sequences per axis):
 - From 5 Hz to 9 Hz with 3.3 mm amplitude
 - From 9 Hz to 200 Hz with 10 m/s² acceleration
 - From 200 Hz to 500 Hz with 15 m/s² acceleration
- Endurance 30 mn on each resonance frequency
- Bumps resistance: NF EN 60068-2-29. E
 - Each direction, 500 drops 1/2 sinus 25 g – 6 ms

Natural events:

- Water and dust resistant IP65 (Self/8000 front face only).

Degradation specification:

- Vandal resistant
- Certified anti-tamper and attack resistant
- Drop: -0.8 m on concrete

3 Product installation

3.1 PROFESSIONAL INSTALLATION REQUIREMENTS

Worldline only sells its products to qualified partners and integrators. These are responsible for the professional resale, integration and installation of these products into complete solutions for retailers. These solutions can be:

- Petrol stations
- Ticketing kiosks (Airline tickets, cinema, transport, etc.)
- Vending machines
- Parking kiosks (On-/off-street)
- Others

Partners, resellers, and integrators must have qualified electronics engineers to be able to install or integrate our products.

In addition, installation must be carried out in accordance with Worldline's recommendations as described in this document and in compliance with local regulations for electrical safety and radio emission levels.

Our on-site support and maintenance engineers are available to follow up and commission the installation.

3.2 PACKAGING

The complete bill of material must be checked on receipt. It contains the following:

- 1 terminal
- 1 fixing plate
- 1 gasket
- 1 power adaptor
- 1 HDMI cable to connect both devices

In case of doubt or if items are missing or damaged, contact your shipping company and/or vendor.

If you want to attach the mounting plate directly to the vending machine, you will also need four M4 locknuts and washers. These are not included in the packaging.

3.3 SELECT A LOCATION

The terminals are designed for unattended usage both in- and outdoors. Electrical installations where the Self terminals are installed, must comply with local and regional codes for office and residential electrical wiring such as International Electrotechnical Commission (IEC).

Finding a proper location is an important aspect for installing the Self terminal components.

Please follow the guidelines listed here and also check the local requirements:

- Select a location on the machine that is conveniently accessible on the front side of the vending device.
Make sure that:
 - The Self terminals fit in the mounting position
 - The card reader (Self/7000) and Pinpad/NFC device (Self/8000) faces the cardholder and is clearly visible
 - The display is readable
 - The card slot is accessible
- Make sure there is sufficient space in the vending machine to:
 - Fit the mounting brace that fastens the terminal tightly into the machine
 - Access the ground connection
 - Guide the cables without folding them and use cable ties
 - Access the rear side of the Self/7000 and Self/8000
 - The maximum permitted length of the cable between the Selfs and the vending machine controller (VMC) is max. 3 m

- Avoid a position that exposes the card reader to rain or hostile weather.
- Mount the Self terminals vertically (recommended) to reduce the risk of water getting into the chip card reader.
- Make sure air can circulate freely around the components.
- Take additional measures to avoid condensation or humidity inside the vending machine or in other locations when the Selfs are integrated into an outdoor environment. Installing moderate levels of heating and/or ventilation can help, as can leaving the terminal active at all times.
 - To avoid reflections and to guarantee readability, do not expose the display to direct sunlight.
 - For the security of the cardholder, make sure that PIN privacy is guaranteed.
 - Locate the display outside the field of vision of cameras, mirrors and away from stairs.
- Check all local regulations and requirements for PIN privacy. There is extended information about this topic in the Self Security Policy, available on the PCI website.

Important note: It is required to use ESD protective clothing while handling these devices.

The Self/7000 and Self/8000 are compliant to the current applicable PCI PTS security requirements. Upon receipt of your terminal you should check for signs of tampering of the equipment. It is strongly advised that these checks are performed regularly after installation. You should check, for example: That the reader is firmly in place; that there is no evidence of unusual wires that have been connected to any ports on your terminal or associated equipment, the chip card reader or any other part of your terminal.

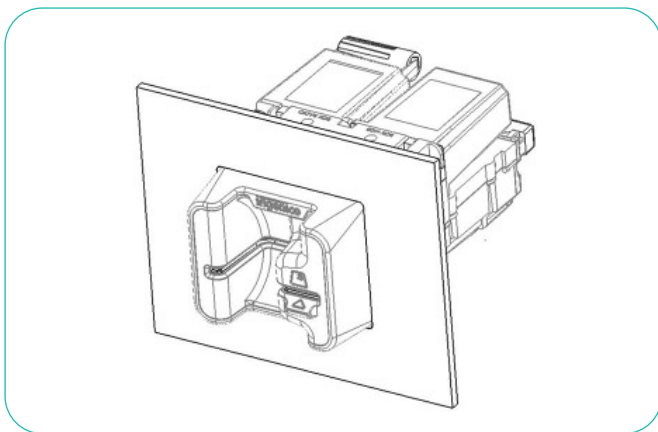
- You are strongly advised to ensure that privileged access to your terminal stock is only granted to staff that has been independently verified as being trustworthy.
- The terminal must never be put in or left at a location where it could be stolen or replaced by another device.
- You are strongly advised to perform regular checks on the chip card reader.
- Such checks are crucial to learn about any unauthorised modifications to your terminal and other suspicious behaviour by people who have access to the device. Your terminal can detect any "tampered state". In this state, the terminal repeatedly flashes the message "Alert Irruption!" and further use of the terminal is not possible. If you observe the "Alert Irruption!" message, you should contact the terminal helpdesk immediately.

3.4 PROCEDURE FOR PRODUCT INSTALLATION

3.4.1 SELF/7000 PRODUCT INSTALLATION

The rating plate with PCI hardware version number must be visible for inspection once the device is installed. The label is only visible on the inside when opening the machine.

The centreline of operating controls or input/output components must be at least 400 mm above the ground.



Product gasket

To ensure the IP ratings, the gasket must be assembled correctly.

Front gasket



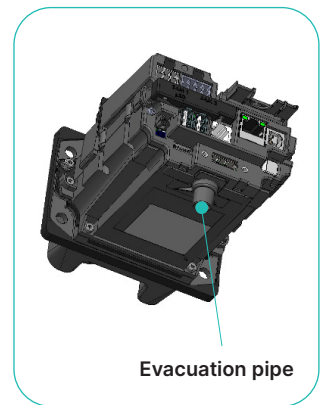
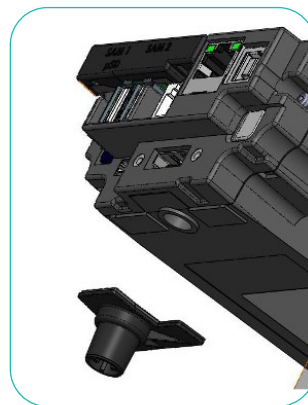
IP rating is related to front face only: Self/7000 IP54

Evacuation pipe

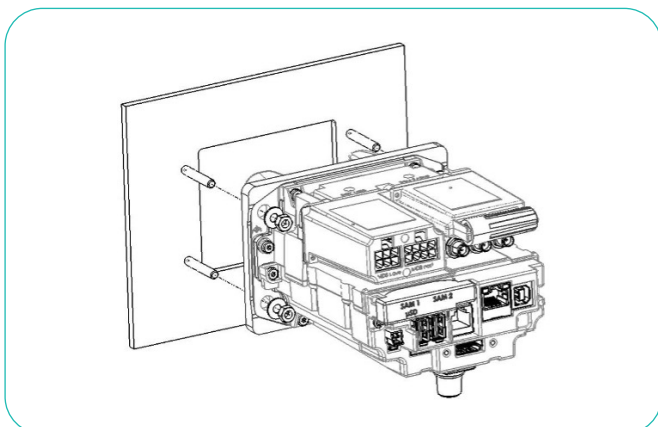
This accessory is delivered for Self/7000 to guide water inside the kiosk. Take care about pipe hose orientation as described below:

Caution

It is important that the device footprint surface on the kiosk must be flat and cleared of any holes and burrs to prevent from dust and water penetration in the kiosk (IP65 standard). Rubber at the rear of the product guarantees waterproofness between EVA plate and the product. Waterproofness between the EVA plate and the kiosk panel should be guaranteed by the gasket on the EVA mounting plate.

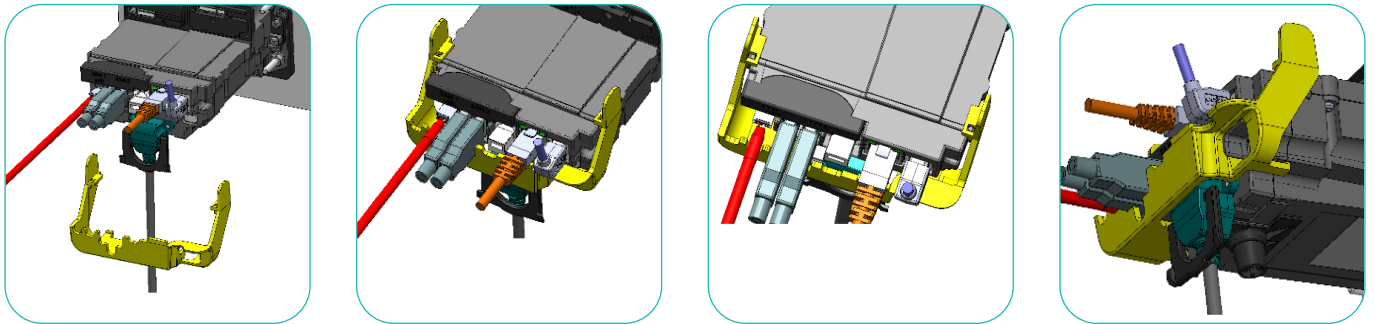


Evacuation pipe



Cables holder

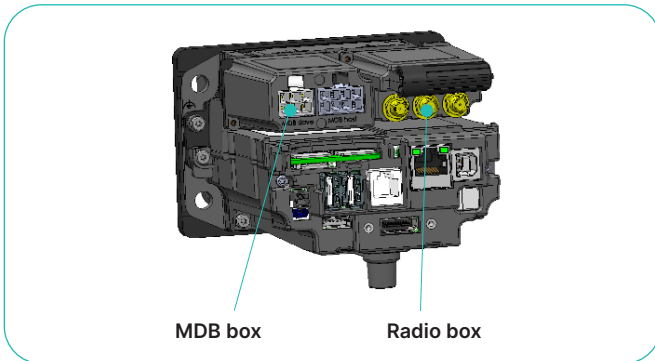
A cable holder is supplied with the Self/7000 product. It is recommended to connect the cables to the Self/7000 device first and then place the cable holder as describe below.



3.4.2 ADD-ON BOXES

Self/7000 can be upgraded by 2 types of add-on boxes:

- The first is dedicated to MDB features, power only or full MDB.
- The second is dedicated to communication. Depending on the reference, it is possible to have Bluetooth and/or Radio link (3G/4G EU/US/AUS standard).



Self/000x – Radio Box

Self/0WBR:

“W”: Type of radio : 0 none / 2:2G / 3:3G / 4:4G.

“B”: 0 none / 5: BT

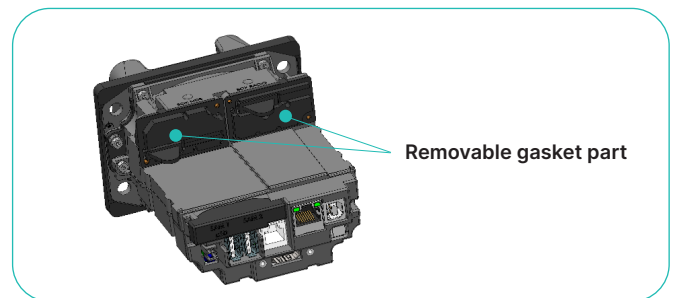
“R”: Used if W #0 for radio localization 0: Europe / 1: North America / 2: Australia

“3”: Japan

When the module is plugged in, it is identified by the parameters stored in internal EEPROM.

Installation

Box mounting



Step 1: Power off

Step 2: Remove the relevant cap from the rear casing

Step 3: Insert the add-on box

- Slot 1 for MDB or PWR box
- Slot 2 for radio box

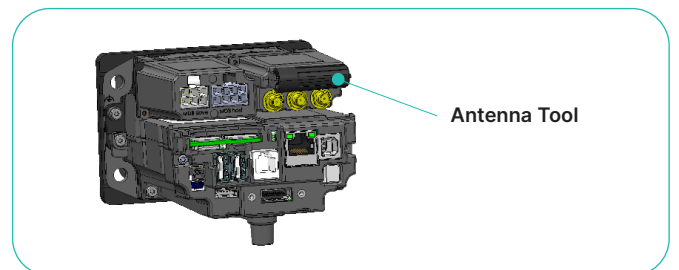
Step 4: Screw the two screws using torque: 0,8 Nm

Antenna mounting

Step 1: Remove the antenna tool from the rest position

Step 2: Screw the antenna on the relevant connector

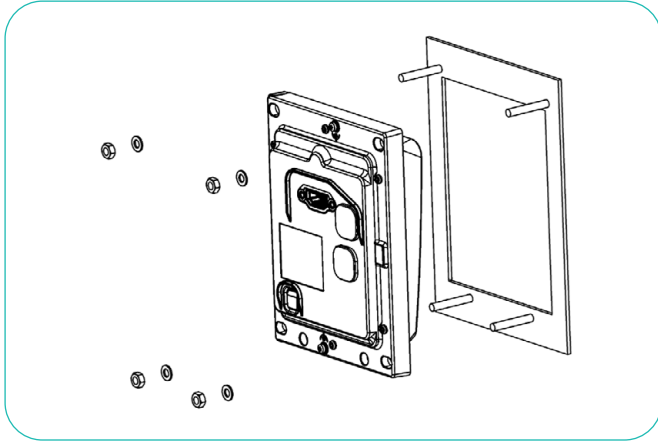
Step 3: Place the antenna tool again at the right position



3.4.3 SELF/8000 PRODUCT INSTALLATION

The rating plate with PCI hardware version number must be visible inside the machine once the device is installed.

The centreline of operating controls or input/output components must be at least 400 mm above the ground.



Caution

It is required by safety regulations that the EVA plate must permanently be connected to GND.

Caution

It is important that the device footprint surface on the kiosk must be flat and cleared of any holes and burrs to prevent from dust and water penetration into the kiosk (IP65 standard). Rubber at the rear of the product guarantees waterproofness between the EVA plate and the product. Waterproofness between the EVA plate and the kiosk panel should be guaranteed by the rubber on the EVA plate.

Product gasket

To ensure the IP ratings, the gasket must be assembled correctly. Therefore carefully check the right positioning of the lugs into the corresponding openings of the terminal.



Caution

IP rating is related to the front face only:
Self/8000 IP65.

3.4.4 INSTALLING THE MODULAR TERMINAL

If you are going to install a 4G comm-box board and antenna, prepare the vending machine first.

If you are going to install a SIM card or 4G comms board, complete this task before installing the comm-box on the terminal and before mounting the terminal in the vending machine.

Step 1: Check the gasket positioning

Lugs (pins) in the rubber should fit into the terminal openings above and below.

Step 2: Mount the modular terminal in the vending machine

1. Line up the terminal with the front panel opening on the vending machine.

2. Clamp the EVA frame to the rigid front plate of the machine using four locknuts.

Note: These locknuts are not included in the terminal package

3. Tighten the locknuts in a Z-pattern.

A cut-out with the standard dimensions of the EVA EPS door module in the kiosk is required.

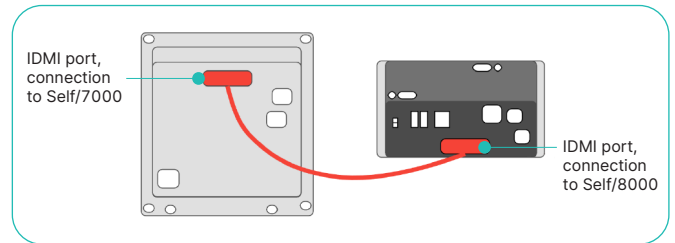
Mount the terminal on the custom EVA plate using the nuts and the washers.

Fixing must be done by 4 M4 × 17 welded studs. The device requires standard hexagonal nuts for an integration into a kiosk. Torque value used: 1.0–1.3 Nm. It is recommended to use washers.

To avoid damage of the terminal, do not over-tighten the nuts. 1.0–1.3 Nm torque is recommended, depending on the material the front plate is made from.

Step 3: Cabling

After mounting the terminals into the vending machine, continue by connecting the communication cables.



Step 4: Powering the devices

Plug in the power plugs and wait for the terminal to be booted.

The devices can be powered using the MDV comm-box:

- Either via the MDB bus (48VDC)
- Or via an external power supply connected to the MDB box (Range 9V-48VDC)

The Self/7000 and Self/8000 are compliant to the Compact Door Module dimensions of the European Vending Association.

4 Safety

Follow the guidelines in this manual when integrating the Self/7000 and Self/8000. Neither Worldline nor its supplier will bear any responsibility or costs for malfunctions, break-downs or anomalies that may result from incorrect handling of the payment terminals. Worldline disclaims all liability if the instructions and precautions contained in this manual are not followed.

If you notice that any Self component blocks, does not fit, or shows any other malfunction, contact your vendor. Do not attempt to repair or modify the device in any way.

4.1 OPERATING SAFETY

Keep the Self terminals away from extensive heat, fire, high voltage, radiation, shocks and abrasive chemicals.

To guarantee safe operation of the Self terminals, make sure:

- The terminals are firmly fixed in the kiosk/vending machine and are correctly wired and powered
- The kiosk/vending machine on which the Self terminals are mounted is protected from dust, strong sunlight, rain, wind and flying parts (e.g. stones thrown up by passing traffic)
- The operating temperature of the terminals remains between -20°C and 65°C

Always:

- Use only the power adaptor supplied or a power adaptor compliant with the appropriate specifications
- Disconnect the power adapter before cleaning the housing and before maintenance or repair work

4.2 SAFETY RECOMMENDATIONS

4.2.1 INTEGRATORS

Integrators must implement appropriate procedures to ensure that each installation is regularly checked on site. These checks are to ensure that:

- No camera has been set up to track cardholder activity
- No skimming device has been installed
- No foreign objects are present in any of the card-readers

If anything suspicious is found in the chipcard reader or if the Self terminals are displaying a 'tampered' warning message, the integrator must:

- Disconnect the terminal from the power source
- Alert the police or computer crime unit and provide them with all requested elements for investigation
- Alert the acquirer with precise details of the location and situation
- Alter the regulator (eg CB, ep2) if appropriate

Partners are fully responsible for the integration of each Self/7000 and Self/8000 into their kiosk and must comply with:

- (i) the local standards and regulations;
- (ii) the integration rules set out in this guide;
- (iii) the state of technology and current industry practices in terminal design, manufacture, integration, commissioning and maintenance.

Use only accessories (power adapters, cables, etc.) provided by your vendor or by an approved source.

Make sure that the Self terminal has completed the necessary steps to load the application and keys.

Security features are integrated in all levels of the Self terminal design, from the external housing to the chipset at the heart of the terminal. Regular visual checks are essential to combat fraud from the outside.

Never:

- Drop, throw, slam or vibrate the terminals
- Let oil, water or other liquids enter the terminals
- Use extension cables to extend the power cable between the power adaptor and the Self terminals
- Connect any other cables than recommended to the Self terminals
- Store, install or use the Self terminals
 - Near any source of excessive voltage fluctuation, electromagnetic fields or microwave radiation (e.g. electric motors or high frequency devices)
 - In a deep freeze or a defrosting system
- Store the Self terminals near food, or near explosive substances such as lighter fuel or petrol
- Open the Self terminals

Worldline cannot be held responsible for a Self/7000 and Self/8000 integration that does not meet the criteria described.

The Self/7000 and Self/8000 products are designed to comply with the applicable international and/or local standards, particularly in environmental (CE, RCM, etc.) and security (EMV, PCI, etc.) terms. Documents confirming compliance with these standards can be made available on request.

The partner is responsible for the complete assembly of the terminal which comprise other third-party components, materials and solutions as well as the cashless payment solution. Before assembling the terminal, the partner must undergo subsequent checks in accordance with the local, European and/or international legislation/regulations applicable (hereinafter the "**certification(s)**"). For example, with regard to electromagnetic compatibility.

For the European Union: Commissioning and market release of the terminals is subject to the receipt of the CE declaration of compliance in accordance with Directive 2004/108/EC of 15 December 2004.

4.2.2 MERCHANTS

For security reasons, merchants are advised to check their Self terminals every working day and make sure that:

- There are no signs that any unusual cables are connected anywhere on the terminal
- There are no foreign objects in any of the card readers

- The terminal does not display warning messages
- There is no visible damage to the housing
- The serial number of the terminal (label) matches the inventory

4.3 EC MARKING

EC standard compliance marking certifies that the product conforms to the following harmonized standards:

Audio/video, information and communication technology equipment – Part 1 : Safety requirements IEC/EN 62368-1 : 2014

RE Directive 2014/53/EU. The Radio Equipment Directive

Radio : ETSI EN 300 330-1 V2.1.1 – Electromagnetic compatibility and Radio spectrum Matters (ERM); Short Range Devices (SRD)

EMC : ETSI EN 301 489-1 V2.1.1, ETSI EN 301 489-3 V2.1.1 – Electromagnetic compatibility and Radio spectrum Matters (ERM); Electro Magnetic (EMC) standard for radio equipment and services.

4.4 REPAIRS AND END OF LIFE

Any maintenance and actions beyond what is described in this manual must be carried out by Worldline or an approved service center. Contact your vendor for information on how to dispose of your Self terminals at the end of their lives. Do not discard, give away or sell your Self terminals as they contain materials that cannot be recycled and must be handled by a professional party.

Environment (WEEE, batteries and packaging)

The products are labelled in accordance with European Directives 2012/19/EU concerning Waste Electrical and Electronic Equipment (WEEE) and 2006/66/EC regarding batteries and accumulators. These provisions stipulate that producers and manufacturers are liable for the take-back, treatment and recycling of equipment and batteries upon end of life.



The associated symbol means that WEEE and waste batteries must not be thrown away but collected separately and recycled.

We ensure that efficient collection and recycling schemes are set-up for WEEE and batteries according to the local regulation of your country.

Packaging waste must also be collected separately to assure a proper disposal and recycling.

Please note that proper recycling of the electrical and electronic equipment and waste batteries will ensure safety of human health and environment.